



www.weldoninstruments.com

PROVEEDOR EXCLUSIVO:



Intestine

Stomach

&

Rectum

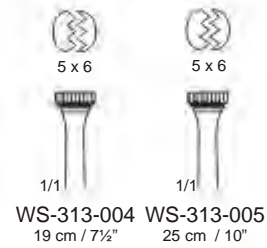
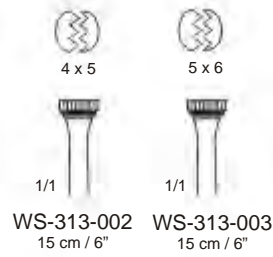
313 - 340

Stomach Intestines

Intestines & Stomach
Intestinos y Estomago
Darm und Magen



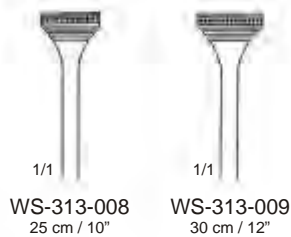
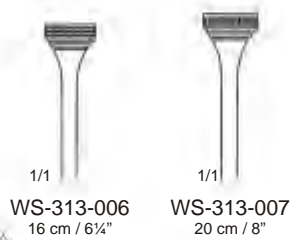
Allis-Baby
WS-313-001
12 cm / 4 1/2"
4 x 5 Teeth



Allis



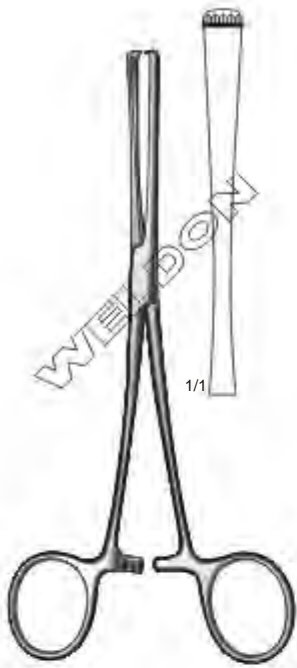
Allis-Atrauma



Allis-Adair
WS-313-010
16 cm / 6 1/4"
10 x 11 Teeth



Boys-Allis
WS-313-011
15 cm / 6"
5 x 6 Teeth



Lockwood
 WS-314-012 16 cm / 6 1/4"
 WS-314-013 20 cm / 8"



Judd-Allis
 WS-314-014 15 cm / 6"
 WS-314-015 19 cm / 7 1/2"



Williams
 WS-314-016
 16 cm / 6 1/4"



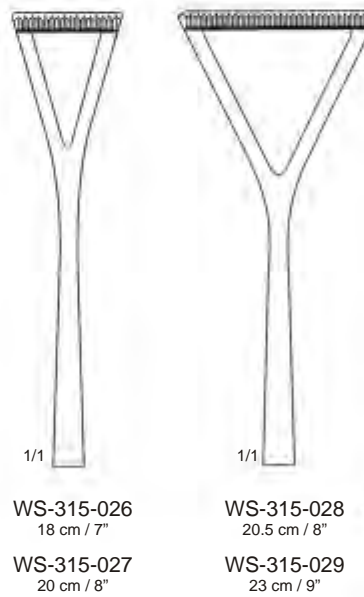
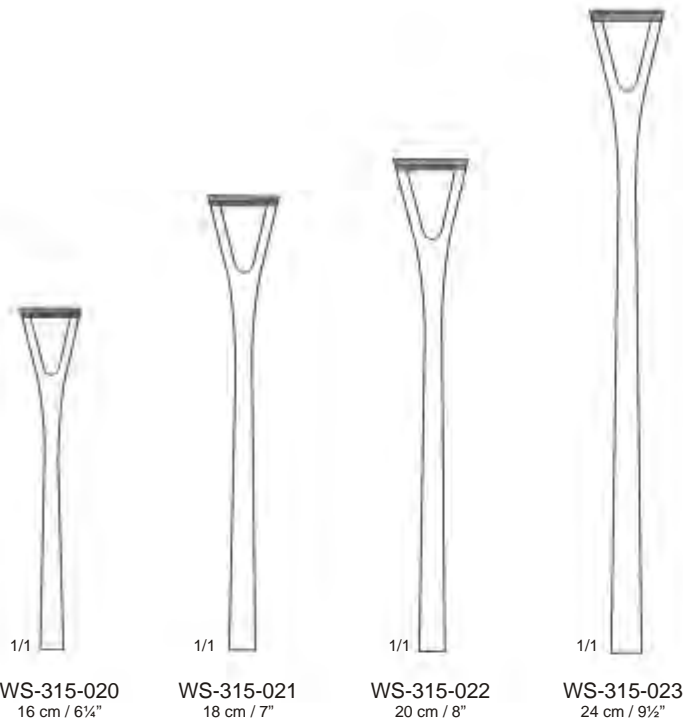
Thoms-Allis
 WS-314-017
 20.5 cm / 8"



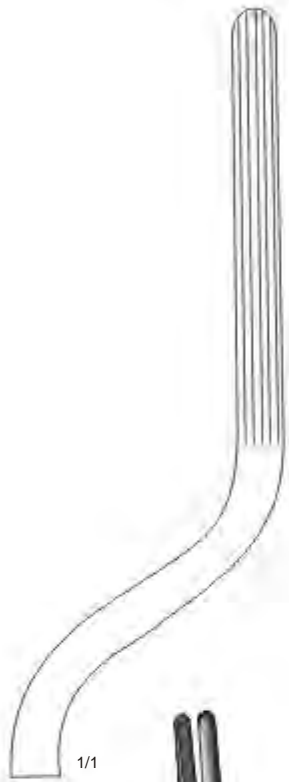
Allis
 WS-314-018
 20 cm / 8"



Lockwood
 WS-314-019
 20 cm / 8"



Intestinal Clamps | Pinzas Intestinales | Darmklemmen



1/1



Brunner
WS-316-030
24 cm / 9½"



1/1

WS-316-031
21 cm / 8¼"

WS-316-032
23 cm / 9"



1/1

WS-316-033
21 cm / 8¼"

WS-316-034
23 cm / 9"

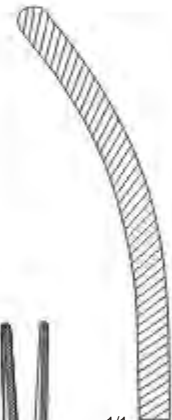


Doyen



1/1

WS-316-035
18 cm / 7"



1/1

WS-316-036
18 cm / 7"



Doyen-Baby



WS-317-037
21 cm / 8½"

WS-317-038
23.5 cm / 9¼"

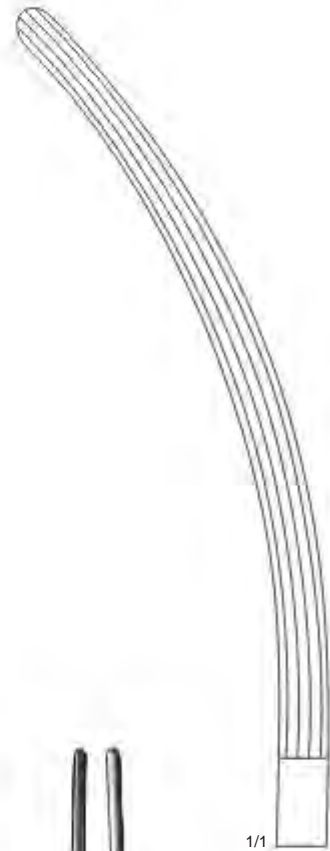


WS-317-039
21 cm / 8½"

WS-317-040
23 cm / 9"



WS-317-041
25 cm / 10"



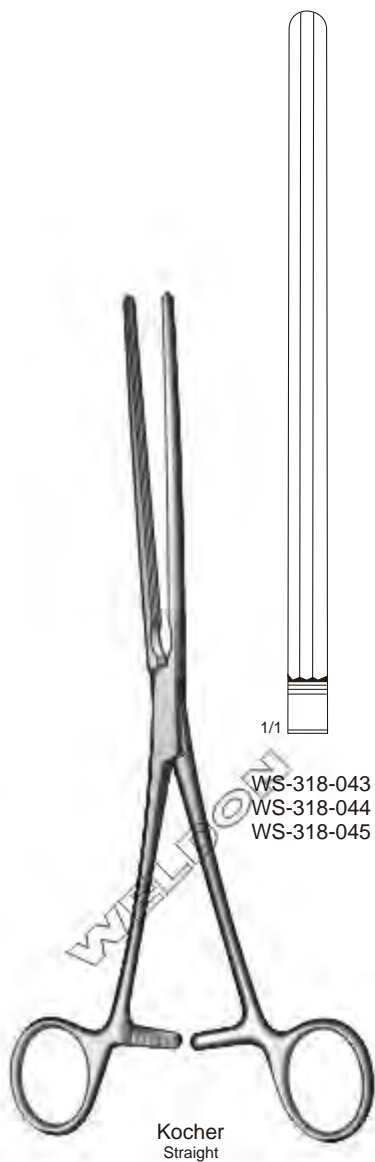
WS-317-042
24.5 cm / 9¾"



Mayo-Robson

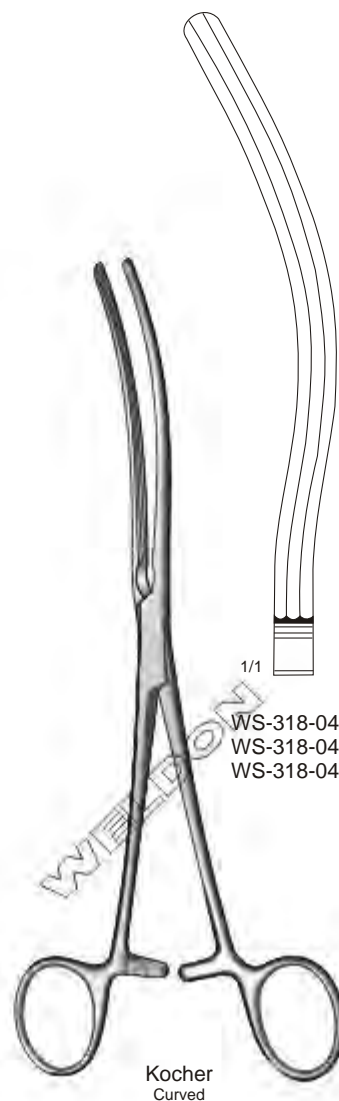
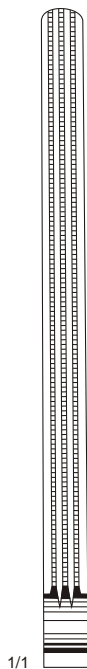


Mayo-Robson

Intestinal Clamps | Pinzas Intestinales | Darmklemmen


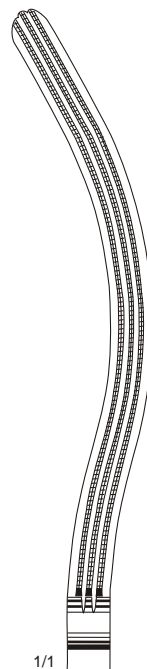
WS-318-043	22 cm / 8¾"	WS-318-043A
WS-318-044	25 cm / 10"	WS-318-044A
WS-318-045	28 cm / 11"	WS-318-045A

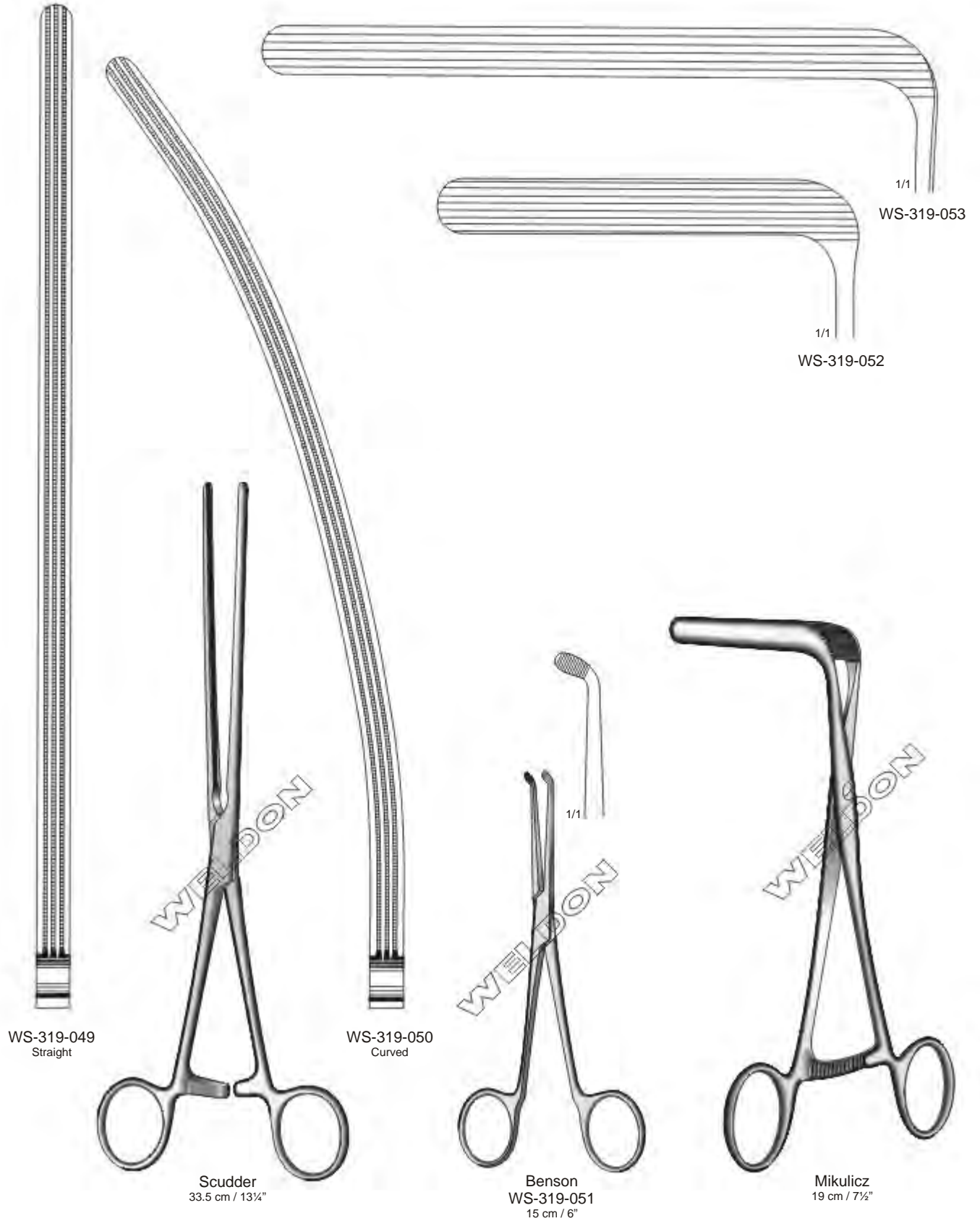
Atraumatic



WS-318-046	22 cm / 8¾"	WS-318-046A
WS-318-047	25 cm / 10"	WS-318-047A
WS-318-048	28 cm / 11"	WS-318-048A

Atraumatic





Intestinal Clamps | Pinzas Intestinales | Darmklemmen



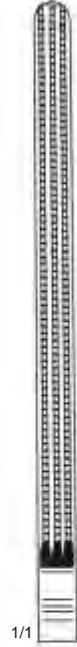
Doyen-Baby
Straight



WS-320-054
16 cm / 6¼"



WS-320-055
18.5 cm / 7¼"



WS-320-056
21 cm / 8¼"



WS-320-057
23 cm / 9"



Doyen-Baby
Curved



WS-320-058
16 cm / 6¼"



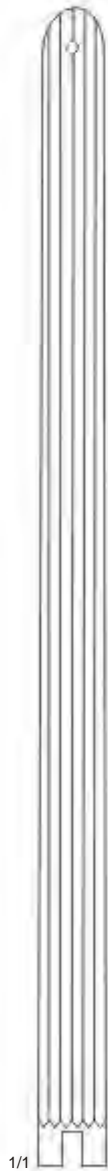
WS-320-059
18 cm / 7"



WS-320-060
21 cm / 8¼"

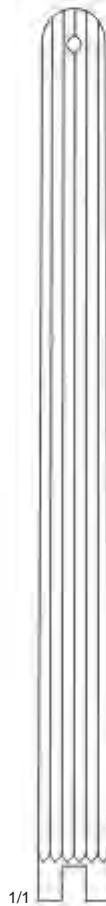


WS-320-061
23 cm / 9"



1/1
WS-321-064
35 cm / 13 3/4"
With Pin

WS-321-065
35 cm / 13 3/4"
Without Pin



1/1
WS-321-066
29 cm / 11 1/2"
With Pin

WS-321-067
29 cm / 11 1/2"
Without Pin



1/1
WS-321-068
21 cm / 8 1/4"
With Pin

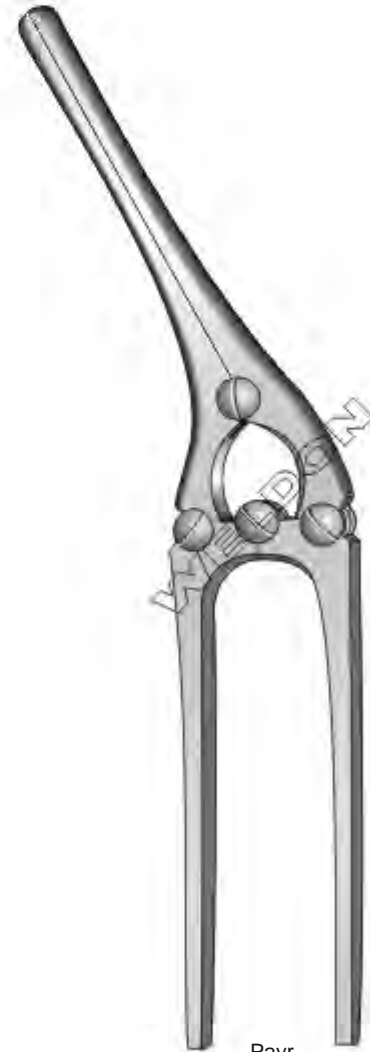
WS-321-069
21 cm / 8 1/4"
Without Pin



1/1
WS-321-062
With Pin
WS-321-063
Without Pin

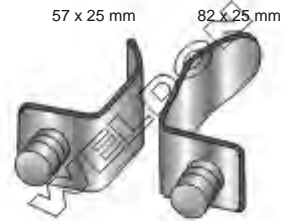
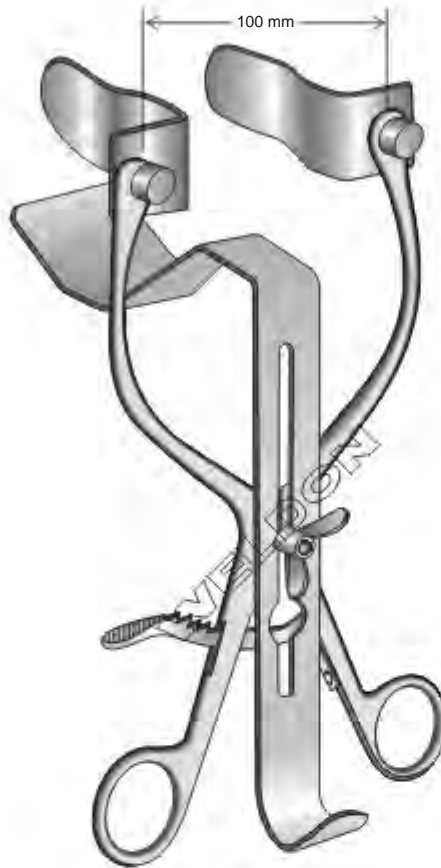


Payr-Baby
15 cm / 6"



Payr

Abdominal Retractors | Separadores Abdominales | Bauchdeckenhalter



Millin
WS-322-001
21 cm / 8 1/4"
Center Blade 120 x 45 mm
100 mm Opening

Max Spread 80 mm

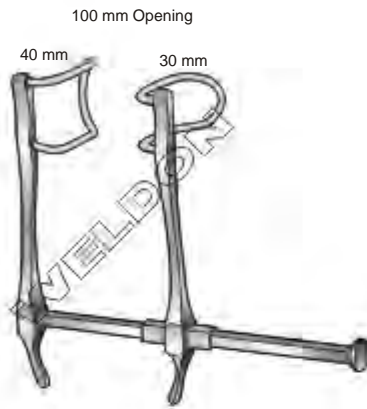


Collin-Baby
WS-322-002
18 cm / 7 1/8"
Complete With 2 Pair of Blades 24 x 42 mm

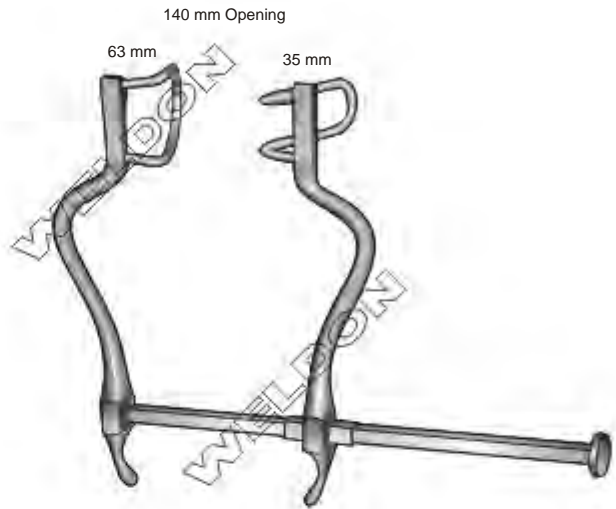
Max Spread 110 mm



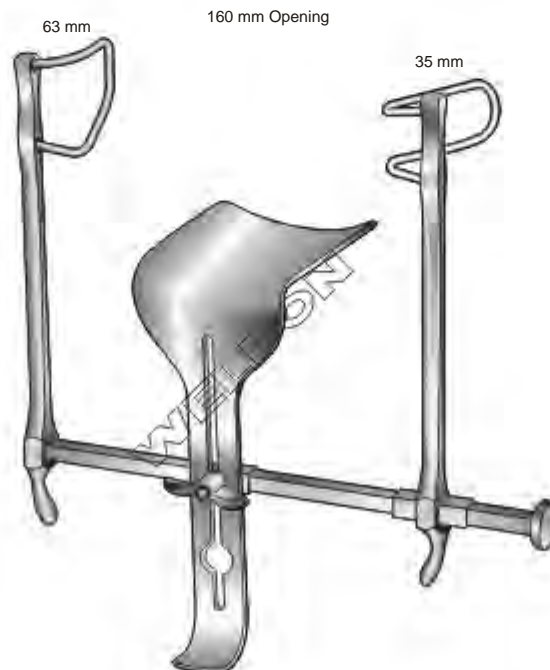
Collin
WS-322-003
23.5 cm / 9 1/4"
Complete With 1 Pair of Blades 38 X 60 mm



Gosset-Baby
WS-323-004
12.5 cm / 5"
100 mm Opening

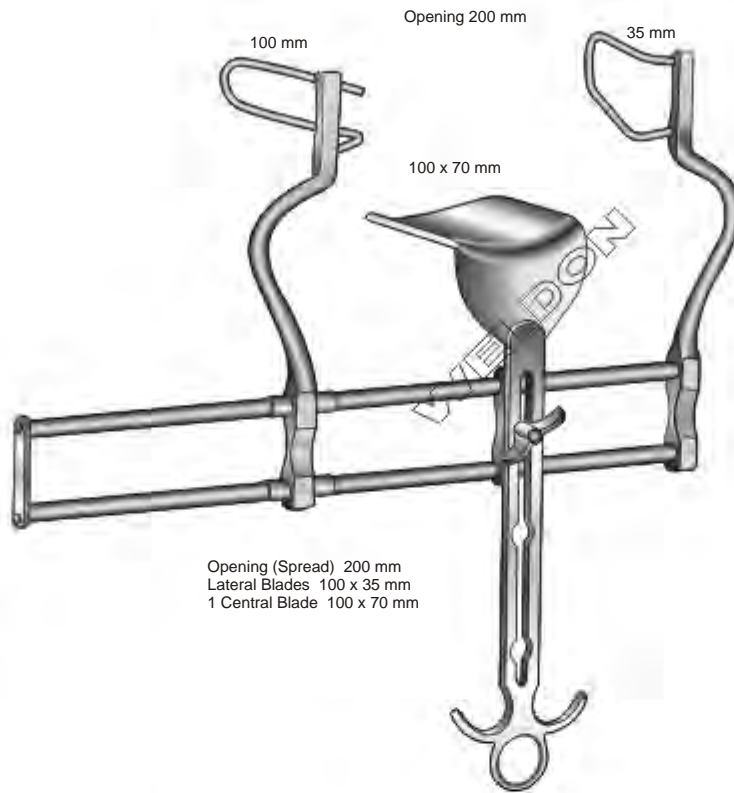


Gosset
WS-323-005
18.5 cm / 7 1/4"
140 mm Opening



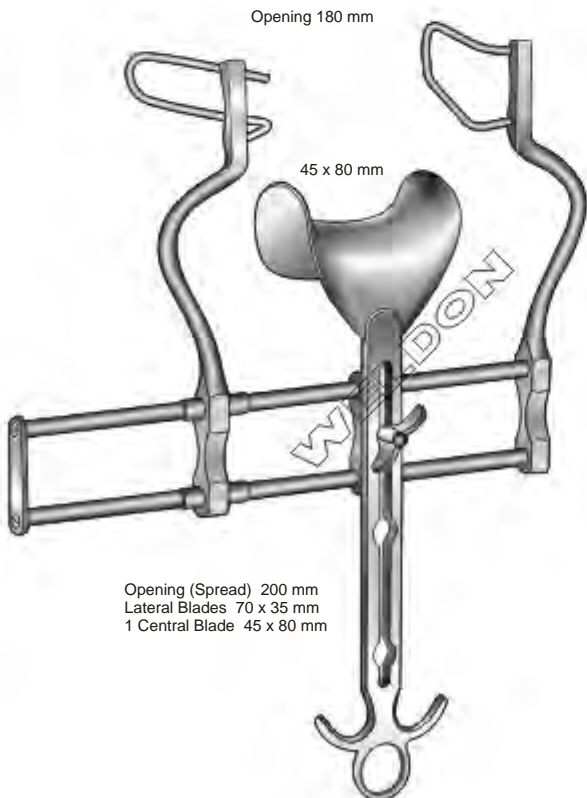
Gosset
WS-323-006
16.5 cm / 6 1/2"
160 mm Opening

Abdominal Retractors | Separadores Abdominales | Bauchdeckenhalter



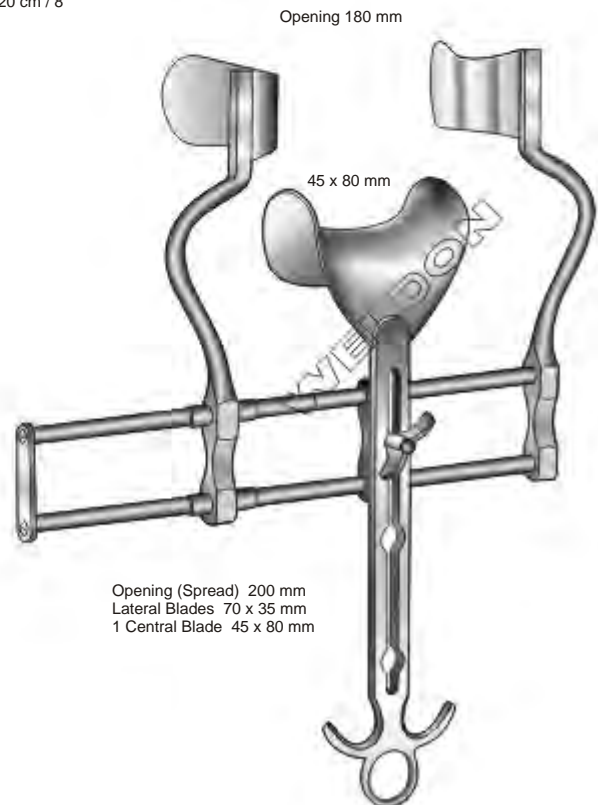
Opening (Spread) 200 mm
Lateral Blades 100 x 35 mm
1 Central Blade 100 x 70 mm

Balfour
WS-324-007
20 cm / 8"



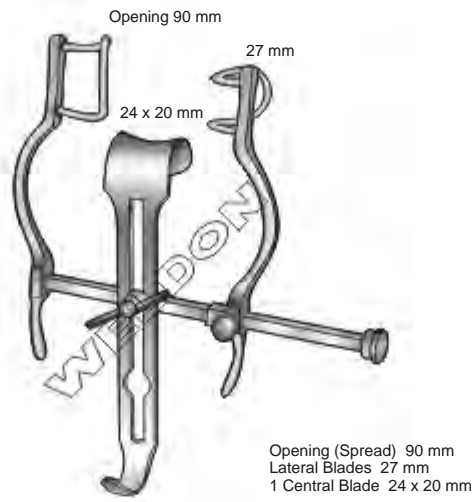
Opening (Spread) 200 mm
Lateral Blades 70 x 35 mm
1 Central Blade 45 x 80 mm

Balfour
WS-324-008
20 cm / 8"



Opening (Spread) 200 mm
Lateral Blades 70 x 35 mm
1 Central Blade 45 x 80 mm

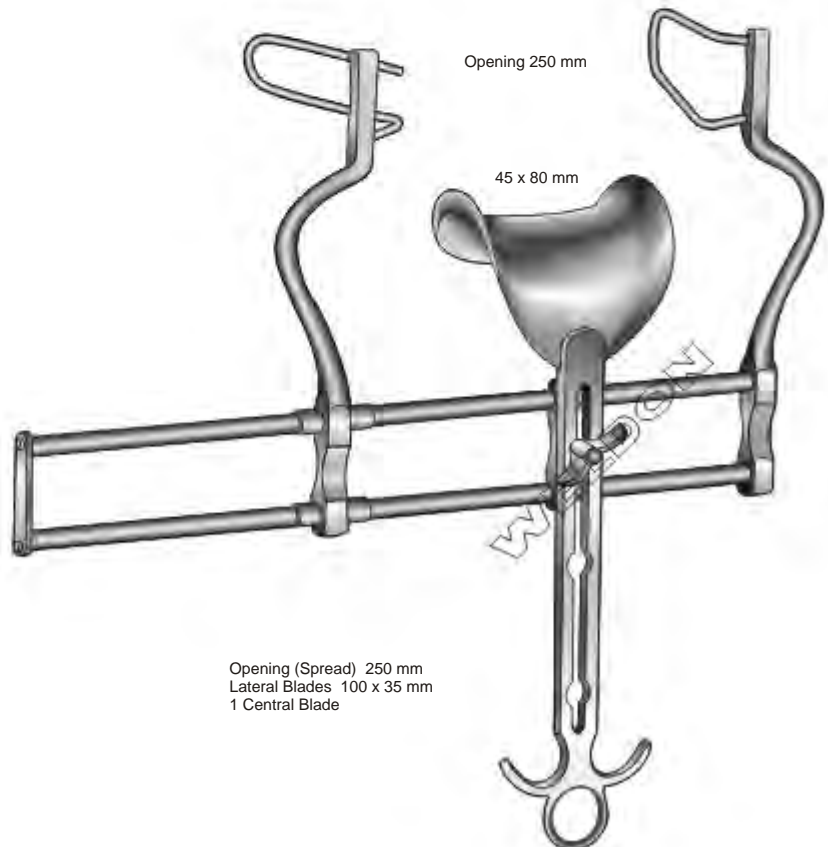
Balfour
WS-324-009
20 cm / 8"



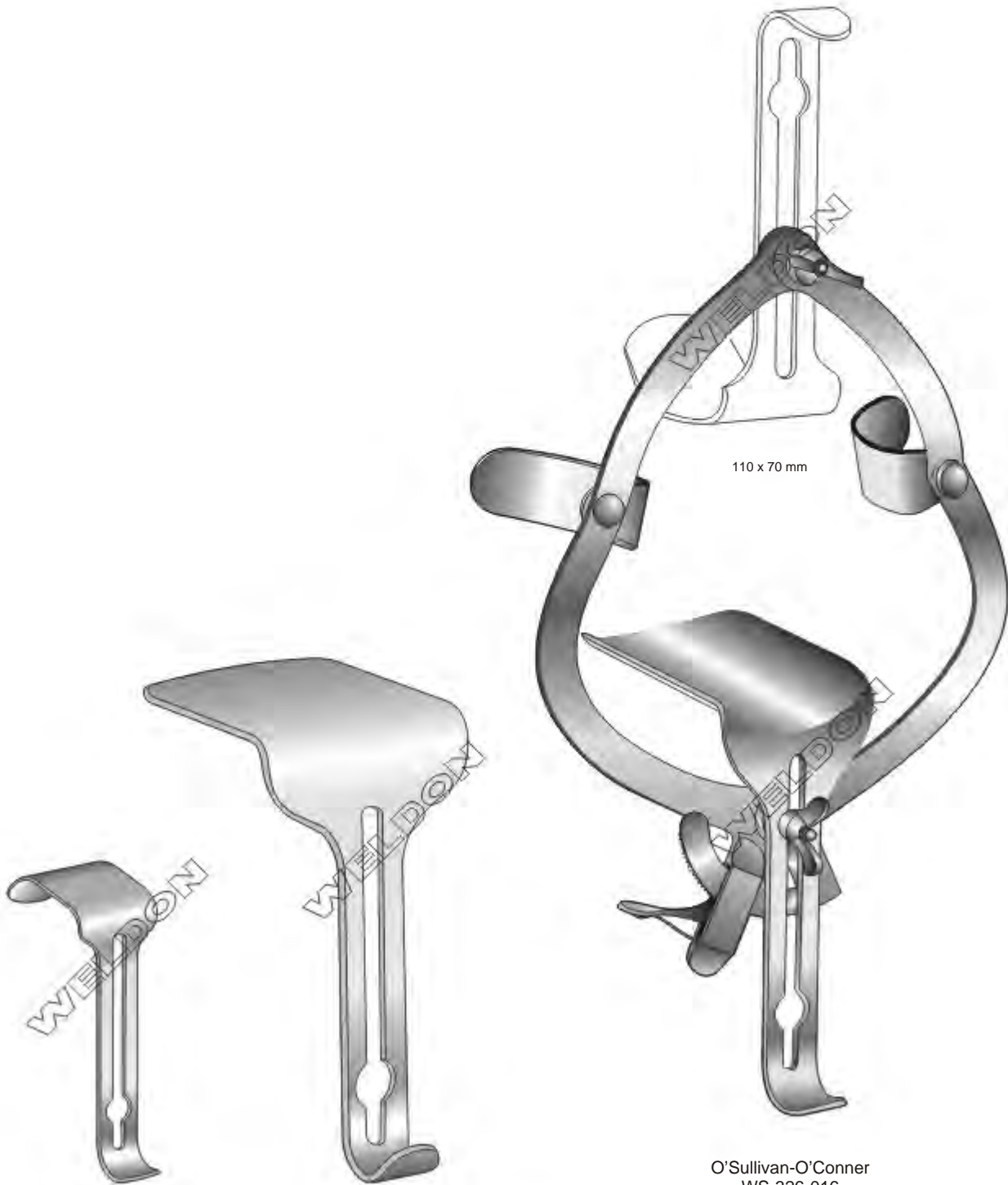
Balfour-Baby
WS-325-010
12.5 cm / 5"



Balfour
Central Blade
WS-325-011
45 x 80 mm
WS-325-012
70 x 85 mm



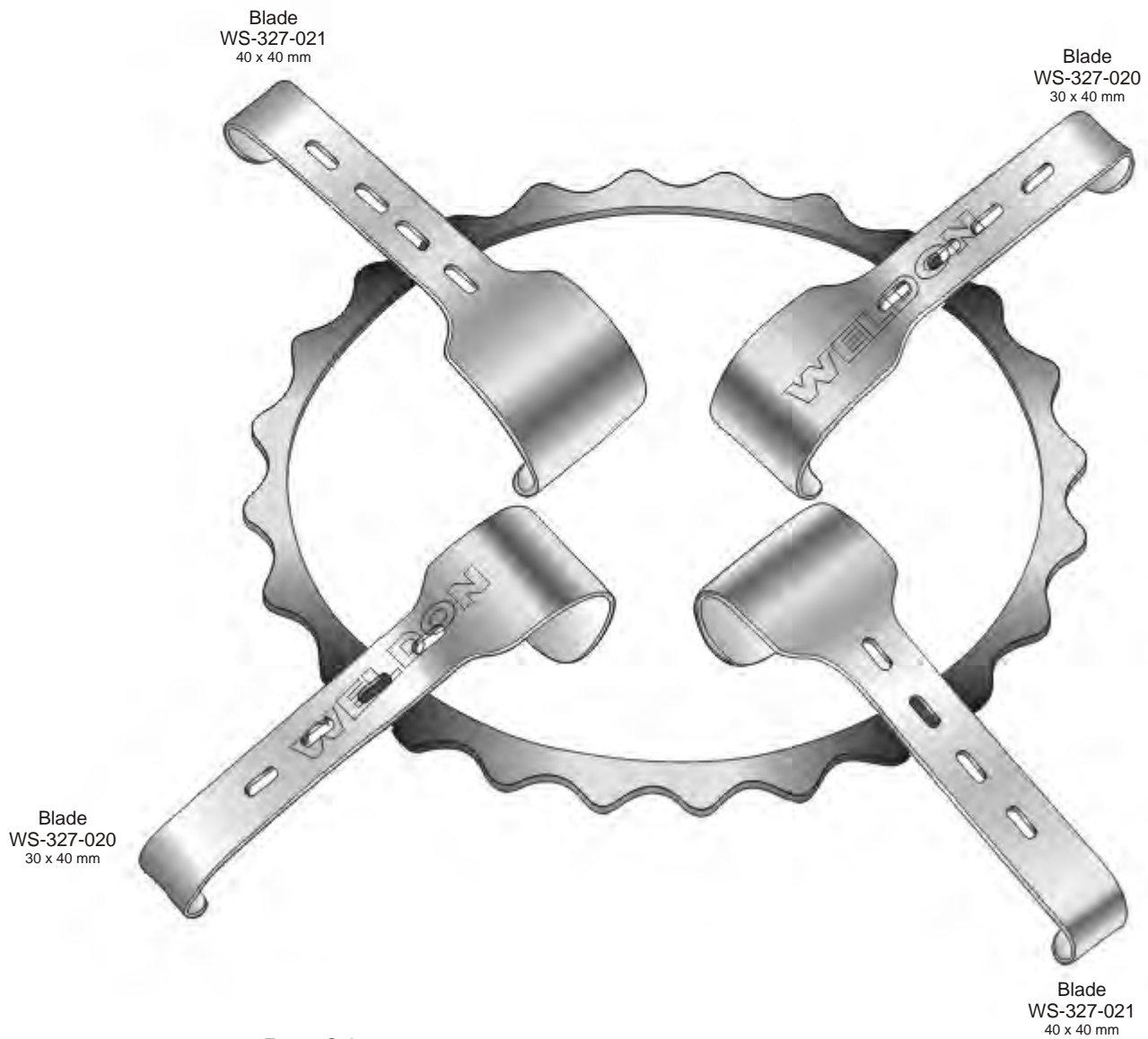
Balfour
WS-325-013
20 cm / 8"



WS-326-014
Blade only
45 x 85 mm

WS-326-015
Blade only
70 x 105 mm

O'Sullivan-O'Conner
WS-326-016
27 cm / 10¾" x 27 cm / 10¾"
Frame Only
WS-326-017
Complete Set - One Frame & Two Rotatable Blades



Blade
WS-327-021
40 x 40 mm

Blade
WS-327-020
30 x 40 mm

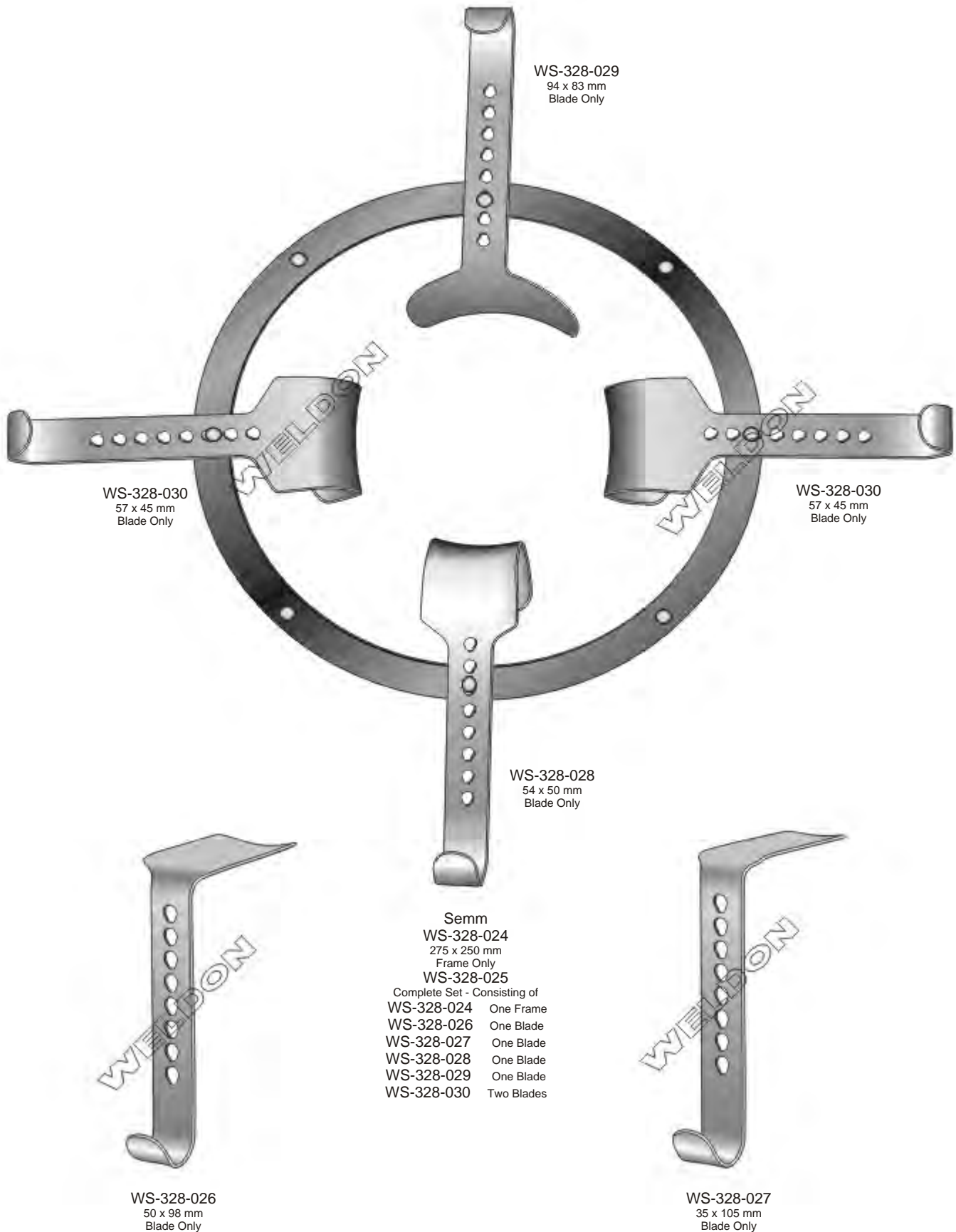
Blade
WS-327-020
30 x 40 mm

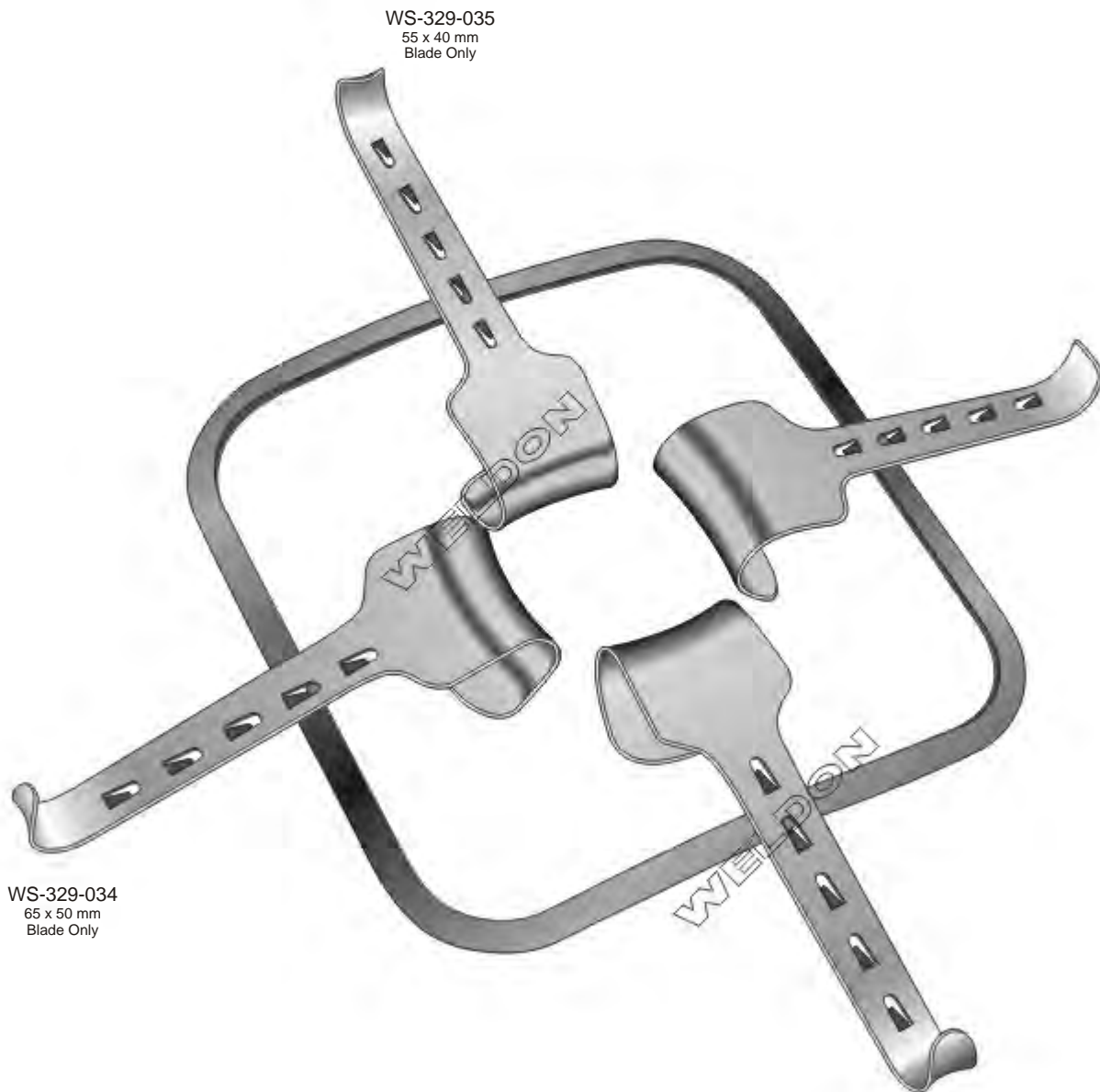
Blade
WS-327-021
40 x 40 mm

Frame Only
WS-327-018 180 x 150 mm
WS-327-019 255 x 180 mm
Blade Only
WS-327-020 30 x 40 mm
WS-327-021 40 x 40 mm

Denis Browne
Complete Set
WS-327-022
WS-327-018 One Frame
WS-327-020 Two Blades
WS-327-021 Two Blades

Denis Browne
Complete Set
WS-327-023
WS-327-019 One Frame
WS-327-020 Two Blades
WS-327-021 Two Blades





WS-329-035
55 x 40 mm
Blade Only

WS-329-034
65 x 50 mm
Blade Only

Kirschner
Frame Only
WS-329-031 270 x 270 mm
WS-329-032 300 x 380 mm
WS-329-033 380 x 380 mm

Kirschner
WS-329-036
Complete Set
WS-329-031 One Frame
WS-329-034 Two Blades
WS-329-035 Two Blades

Kirschner
WS-329-037
Complete Set
WS-329-033 One Frame
WS-329-034 Two Blades
WS-329-035 Two Blades



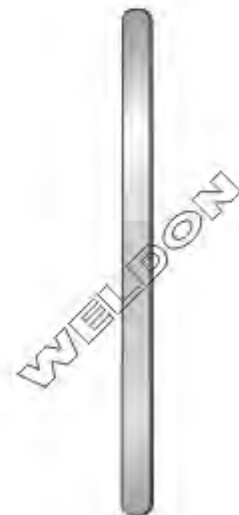
Reverdin
 WS-330-038
 28 cm / 11"
 Bent
 WS-330-039
 29 cm / 11½"
 Straight



Ribbon
 WS-330-040 30 mm
 WS-330-041 40 mm
 WS-330-042 50 mm
 33 cm / 13"



Heberer
 WS-330-043 20 cm / 8", 17 - 25 mm
 WS-330-044 28 cm / 11", 25 - 30 mm
 WS-330-045 30 cm / 11¾", 37 - 45 mm
 Tapered



Weldon
 WS-330-046 6.5 mm
 WS-330-047 9.5 mm
 WS-330-048 13 mm
 WS-330-049 16 mm
 WS-330-050 19 mm
 WS-330-051 25 mm
 20 cm / 8"
 Malleable, Very Soft



Hirschmann

- WS-331-001 16 mm x 65 mm
- WS-331-002 19 mm x 70 mm
- WS-331-003 22 mm x 90 mm



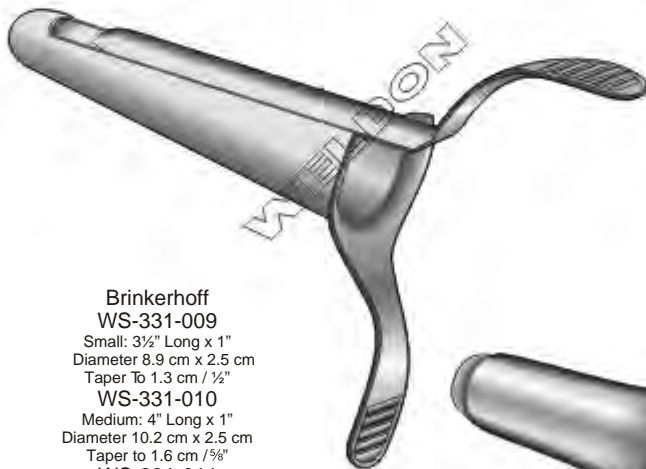
Newmann

- WS-331-004 16 mm Ø x 63 mm
- WS-331-005 19 mm Ø x 63 mm
- WS-331-006 23 mm Ø x 63 mm



Bensaude

- WS-331-007 Ø 19 x 70 mm
- WS-331-008 Ø 22 x 70 mm



Brinkerhoff

- WS-331-009
- Small: 3½" Long x 1"
- Diameter 8.9 cm x 2.5 cm
- Taper To 1.3 cm / ½"
- WS-331-010
- Medium: 4" Long x 1"
- Diameter 10.2 cm x 2.5 cm
- Taper to 1.6 cm / ⅝"
- WS-331-011
- Large: 4¾" Long x 1¼"
- Diameter 12.1 cm x 3.2 cm
- Taper to 1.9 cm / ¾"



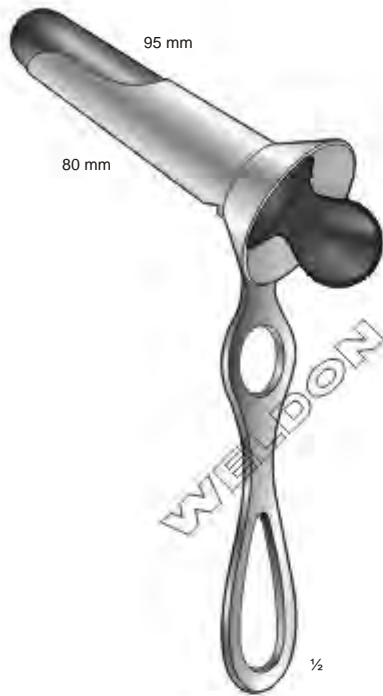
Kelly

- WS-331-012 Small: 5.1 cm / 2" Long
- WS-331-013 Medium: 10.2 cm / 4" Long
- WS-331-014 Large: 14 cm / 5½" Long
- 2.2 cm / ⅞" Diameter



Kelly

- WS-331-015 Ø 25 X 75 mm
- WS-331-016 Ø 21 X 50 mm
- Taper To 2.1 cm / ⅝"



Ives Fansler
WS-332-017
22 mm Ø



Ives Fansler
WS-332-018
22 mm Ø
With Fiber Optic



Fansler Operating Speculum
WS-332-019
Slotted Tube, 2 3/8" Long x 1 1/4"
Diameter (6 cm x 3.2 cm)



Chelsea Eaton Anal Speculum
WS-332-020
Small - 2 1/2" Long x 7/8"
Diameter (6.4 cm x 2.2 cm)
WS-332-021
Large - 2 1/2" Long x 1 3/16"
Diameter (6.4 cm x 3.1 cm)



Pratt
WS-333-022
Blade Depth = 8.9 cm / 3½"
Blade Width = 1" / 2.5 cm
Diameter At Opening = 4.4 cm / 1¾"
21 cm / 8¼"



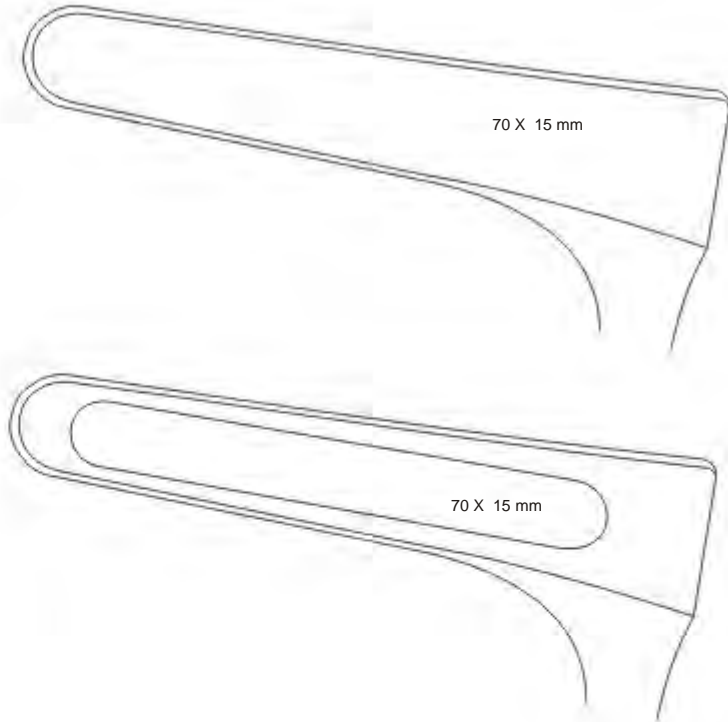
Bodenhammer
WS-333-023
Blade Depth = 8.9 cm / 3½"
Blade Width = ¾" / 1.9 cm
Diameter At Opening = 2.2 cm / ⅞"
16 cm / 6¼"



Sims
WS-333-024
Fenestrated
Blade Depth = 8.9 cm / 3½"
Blade Width = ⅞" / 2.2 cm
Diameter At Opening = 1.6 cm / ⅕"
16 cm / 6¼"



Sims
WS-334-025
15 cm / 6"



Mathieu
WS-334-026
21 cm / 8 1/4"
Working Length 90 mm



Czerny
WS-335-027
22 cm / 8 3/4"



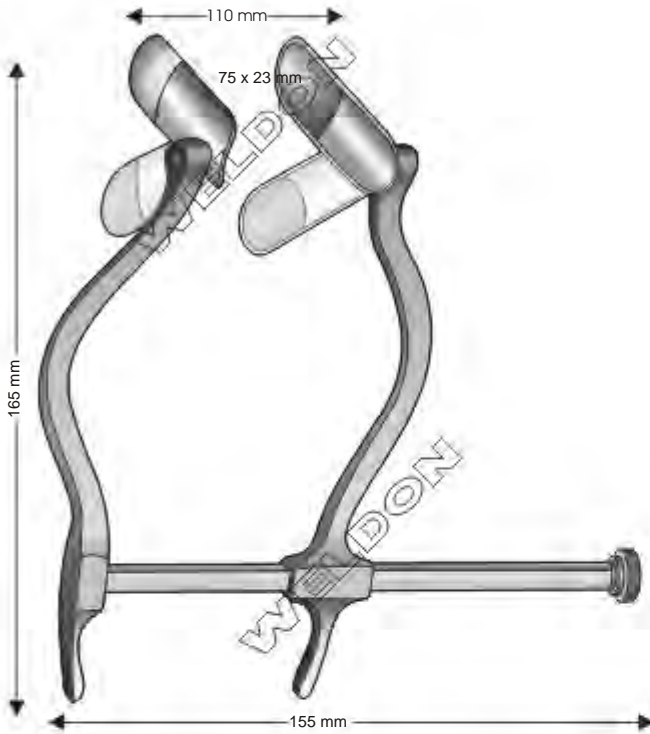
Sawyer Rectal

- WS-335-028 Small : Blade Size (6.4 cm / 2 1/2") x (2.2 cm / 7/8")
- WS-335-029 Medium : Blade Size (7.6 cm / 3") x (2.9 cm / 1 1/8")
- WS-335-030 Large : Blade Size (8.9 cm / 3 1/2") x (3.8 cm / 1 1/2")
25.4 cm / 10"



Hill-Ferguson

- WS-335-031 Small : Blade Size (6.4 cm / 2 1/2") x (2.2 cm / 7/8")
21.5 cm / 8 1/2"
- WS-335-032 Medium : Blade Size (7.6 cm / 3") x (3.0 cm / 1 1/8")
22 cm / 8 3/4"
- WS-335-033 Large : Blade Size (7.6 cm / 3") x (3.6 cm / 1 7/16")
22 cm / 8 3/4"

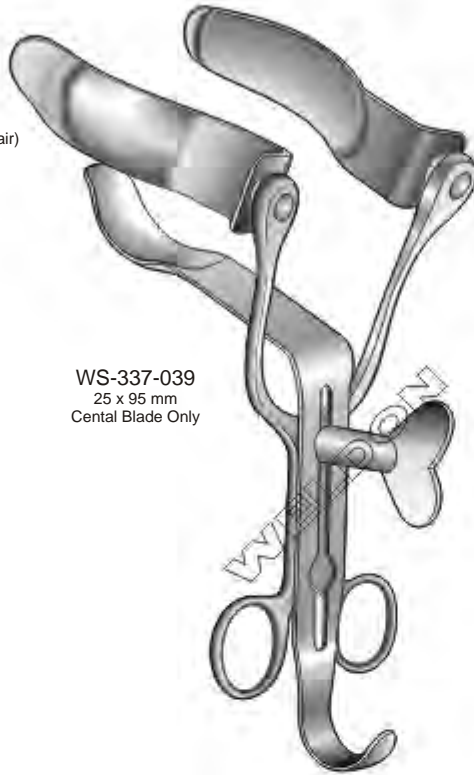


Smith-Buie
WS-336-034
 Maximum Opening 10.2 cm / 4"
 Swivel Blades 7 cm / 2¾" Deep x 2.2 cm / ⅞" Wide



Barr
WS-336-035
 20 cm / 8", Self-Retaining
 Blades 7 cm / 2¾" Deep x 2.2 cm / ⅞" Wide

WS-337-037
22 x 75 mm
Lateral Blades Only (Pair)



WS-337-039
25 x 95 mm
Central Blade Only



WS-337-038
22 x 95 mm
Lateral Blades Only (Pair)

Alan- Parks
WS-337-036
Frame Only

- WS-337-037 One Pair of Lateral Blades
- WS-337-038 One Pair of Lateral Blades
- WS-337-039 One Central Blade
- WS-337-040 Complete Set
- With 2 Lateral Blades & 1 Central Blade

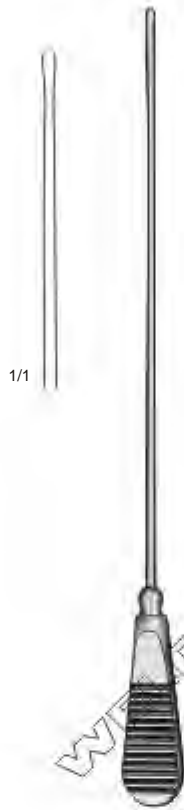


Park
WS-337-041 Complete Set
WS-337-042 Frame Only
WS-337-043 Lateral Blades Only (Pair) Size 22 x 72 mm

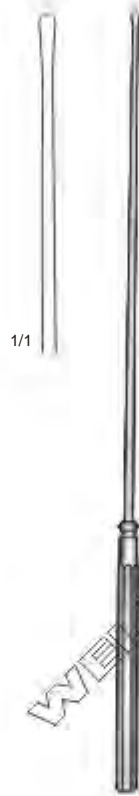
Haemorrhoidal Grasping Forceps, Fistula Probes | Pinza Para Agarrar Hemorroides, Sondas Para Fistulas
 Hämorrhoidenfasszange, Fistelsonden



McGivney
 WS-338-044
 19 cm / 7½"



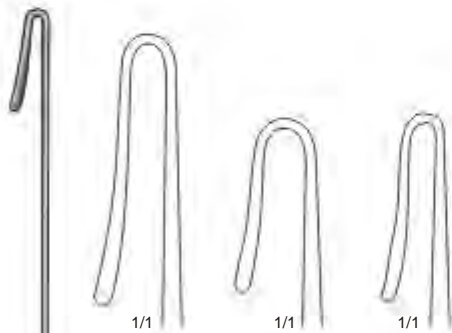
Buie
 WS-338-045
 21.5 cm / 8½"
 Malleable



Pratt
 WS-338-046
 28 cm / 11"
 Malleable



Brodie
 WS-338-047
 18 cm / 7⅞"



WS-338-048 WS-338-049 WS-338-050



WS-338-051
 Fig. 1



WS-338-052
 Fig. 2



WS-338-053
 Fig. 3



WS-338-054
 Fig. 4

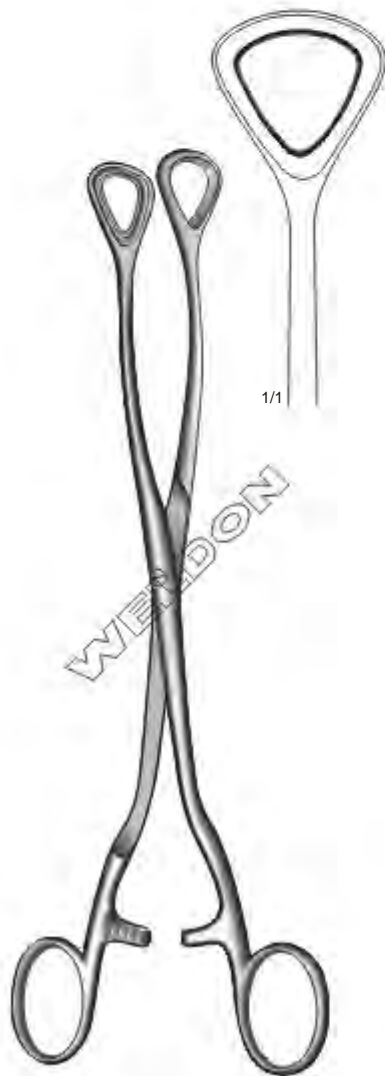
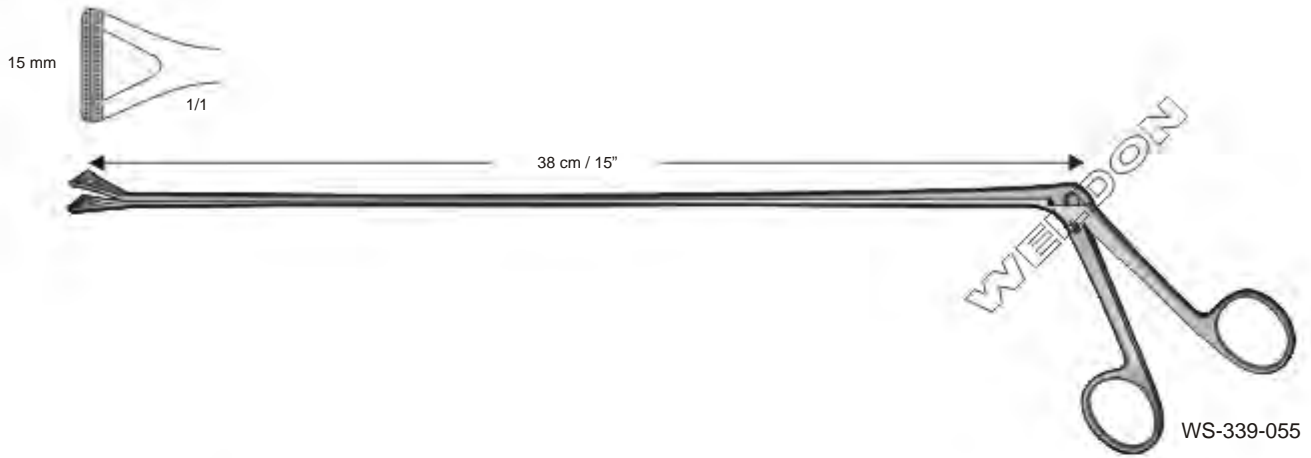


Pratt
 21 cm / 8¼"

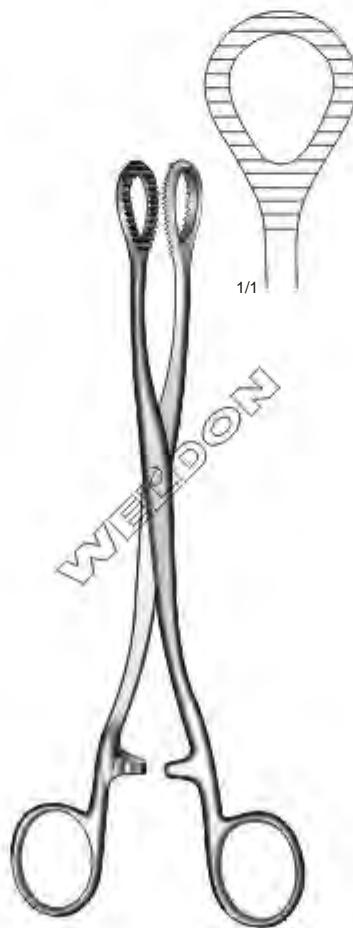


Lockhart Mummery
 16 cm / 6¼"

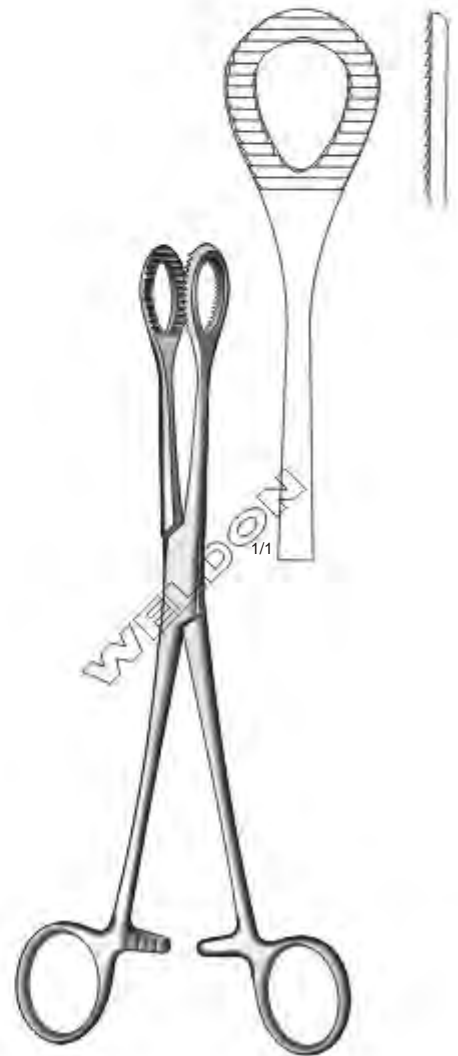
Rectal Biopsy Forceps | Pinzas Para Biopsia Rectal | Rektum-Biopsiefasszangen



Luer
WS-339-056
24.5 cm / 9 3/4"



Heywood-Smith
WS-339-057
20 cm / 8"



Heywood-Smith
WS-339-058
21 cm / 8 1/4"

Rectal Biopsy Forceps | Pinzas Para Biopsia Rectal | Rektum-Biopsiefasszangen

